

MAG808R

8-Zone Remote Paging Console



Description

The MAG808R 8-Zone Remote Paging Console is a dedicated paging control unit designed for use with the MAG808 digital audio matrix public address system. It enables flexible zone paging control, allowing operators to manage multiple zones with individual selection or one-touch broadcast switching. The system also supports multi-unit cascading for expanded paging applications in larger installations.

Features

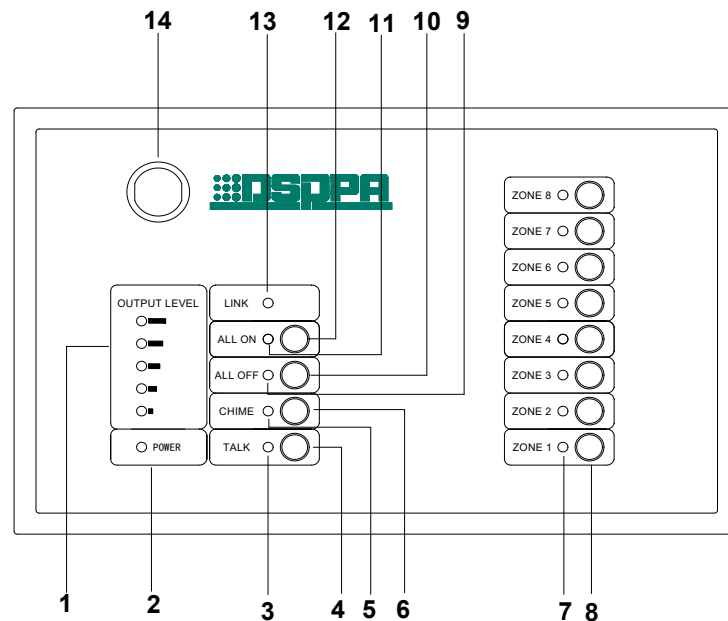
- Real-time LED level indication for operational status monitoring.
- Supports independent control of up to 8 zones per paging station.
- Built-in chime function for paging notification and user alert.
- Adjustable microphone gain and chime volume control.
- Equipped with a D626 standard gooseneck condenser microphone.
- RJ45 network interface for stable digital audio and control transmission.

Front / Rear Panel

Model	MAG808R
Power supply	~220V/50Hz
MIC1 input sensitivity	45±5 mV
Network port input sensitivity (balance)	2000±100 mV
Network port output voltage (balanced)	2000±100 mV
The bell's rated output level	≤1000 mV

MIC frequency response	100Hz~15kHz (±3dB)
Noise	<1.5mV
Distortion	<0.5% 1KHz
AC power	AC220V/50Hz
Machine size (L×W×H)	231.5mm×145.5mm×67.5mm
Packing Size (L×W×H)	282mm×200mm×264mm (1PC)
Net weight	1.75Kg
Gross Weight	2.0Kg (1PC)

Specifications



1. Output Level Indicator

The higher the level is, the more indicators light up.

2. Power indicator

When the power is on, the indicator light will be on. And the indicator lights will be off when the power is turned off.

3. TALK indicator

Press the TALK button 4 and TALK will be working and this light will be on.

4. TALK switch button

Press this button and the microphone will be turned on, and you can input sound. Corresponding indicator 3 will light up.

5. CHIME indicator

Press the CHIME-2 button 6, select the bell 2 and the light will be light up.

6. CHIME switch button

Press this button and the bell 2 will be on, and the corresponding indicator 5 will light up.

7. Zone working indicator

Press the button 8 and zone 1 will work, and this indicator will light up.

8. Zone switch button

Press this button and the zone will be turned on, and the corresponding indicator 7 light will light up. zone two to zone six can be individually controlled like that.

9. One button to turn off all zones indicators together

Press the ALL OFF button 10 and all the zones will be turned off. This indicator will light up when all zone

indicators are off

10. One button ALL OFF to turn off all zones together

Press this button and all the zones will be turned off, and the corresponding indicator 9 will light up.

11. One button ALL ON to turn on all zones together

Press this button and all zones will be turned on, and the corresponding indicator 11 will light up.

12. One button to turn on all the zone indicators together

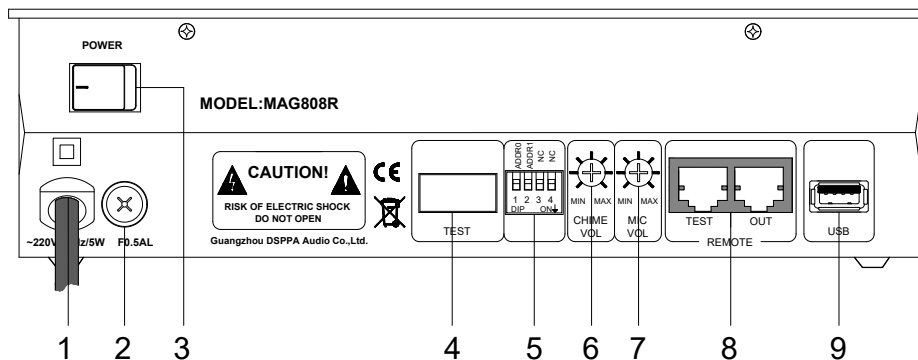
Press the ALL ON button 12 and all the zones will be turned on and their indicators will light up. And this indicator will light up too.

13. LINK indicator

The LINK indicator flashes and the host is connected properly.

14. Microphone interface

It is for connecting with the D626 gooseneck microphone.



1. AC power input

~220V / 50Hz / 5W

2. AC fuse

3. Power switch



4. Extended interface (this function is not used)

Which applies 10P computer socket.

5. Connect host address

Can set priority order of 4 pagers, the first address of the highest priority, followed by the other downgrade. The first address of the pager must be connected to the host PAGE1 interface, the second address to the fourth address and so on.

Set: when  1,2 are dialed down, connect to the first address; when  1 dial up, 2 dial down,

connect to the second address; when  1 dial down, 2 dial up, connect to the third address; when  1,2 are dialed up, connect to the fourth address.

6. Chime volume adjustment knob

Adjust it with a screwdriver.

7. Microphone volume adjustment knob

Adjust it with a screwdriver.

8. Extended interfaces TEST and OUT

- MAG808R paging microphone OUT interface access to MAG808 PAGE interface;
- Both use RJ45 terminal.

9. Test interface